

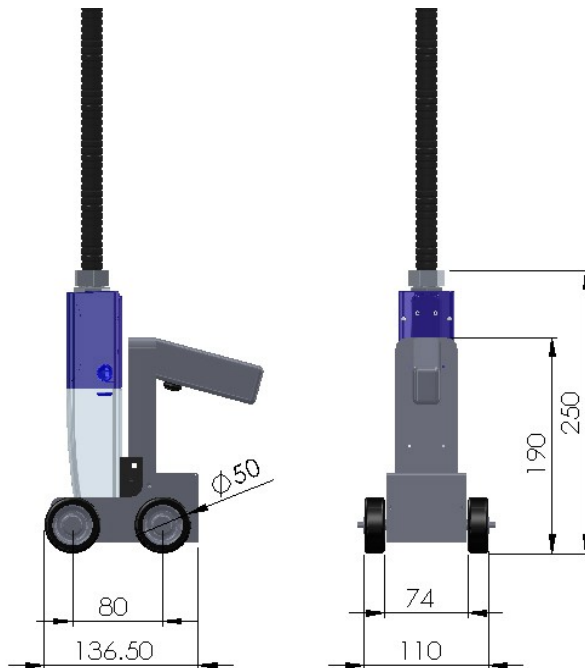
# TRAVERSER-R

The Traverser-R has been developed to allow print to be applied manually to large workpieces. It is particularly suited for marking large flat objects and large diameter pipes/tubes. The Traverser-R is very easy to use, the operator rolls the unit along the item to be printed and presses the handle mounted trigger switch at the point where print is to be applied. A built in encoder ensures consistent print.

Traverser-R is compatible with any A-series printer fitted with the Surestart printhead. Not compatible with the older black printhead.



## DIMENSIONS



## SPECIFICATION

Traverser-R :Part No T10385

Construction: Anodised Aluminium

Weight: 800g (Traverser)

## ENVIRONMENT

Temperature range 5 - 55°C

Humidity 10 - 90% RH (non condensing)

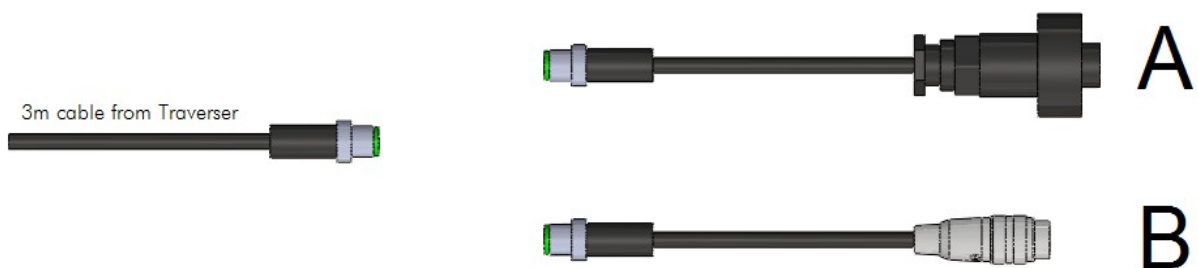
Electrical requirements: Power supplied from Printer

Protection IP40



## PRINTER CONNECTORS

A suitable printer connector will be required depending which type of Domino printer is used to connect the 'Print Go' signal. Required connector must be specified with order. The cost of a single connector is included in the price.



Printer	Cable	Part No.
A100/200/300/400 classic/plus	A	T10199
I-tech/Ax	B	T10350

## CONDUIT SUPPORT

The conduit support allows the print-head conduit to be supported and be free to move with the Traverser at the same time.

The Conduit Support kit consists of a polyurethane hanger, which can be adjusted to allow the conduit to be supported from different heights, a stainless steel adjustment collar, a stainless steel tensioning collar, a stainless steel snap ring to release the mounting and a stainless steel loop bracket. The loop bracket can be fitted to, for example the roof of the host machine.

There are additional components available to clamp the conduit support top mounting hook to 25mm x 25mm rail and 32mm diameter rail.

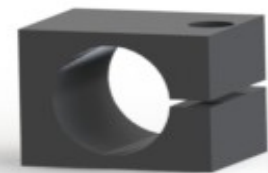
The polyurethane hanger is looped around itself and tensioned against the print-head conduit with the stainless steel tensioning collar.



Conduit Support Kit Part No T10208



25mm by 25mm Square Bar Conduit  
Kit Clamp Part No T10209



Diameter 32 Round Bar  
Conduit Kit Clamp Part No T10210