

# TRAVERSER-E2



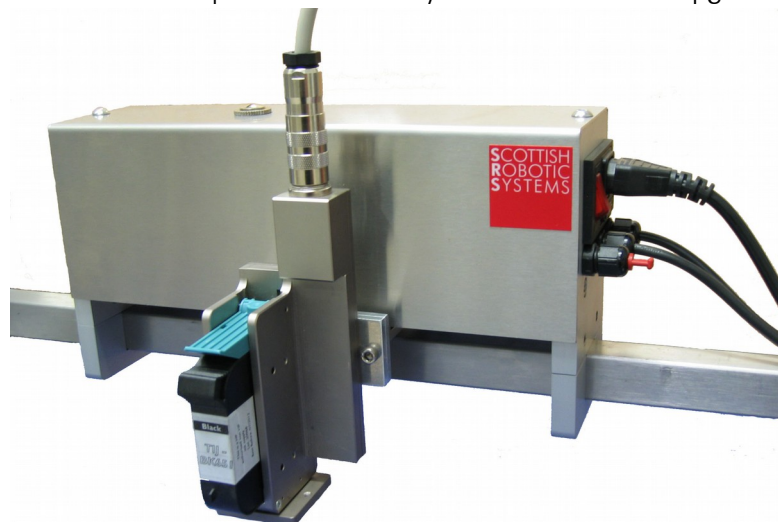
The Traverser-E2 utilises Traverser concepts to provide an efficient means of making quality samples or as a low cost Traverser for simple applications. The Traverser-E2 is compatible with Domino A-Series and G-Series printer models

No software is required for the simple set-up, stroke length is adjustable by potentiometer, acceleration and speed are fixed. One print go signal is issued per stroke on the outward stroke, multiple messages can be produced by repeating the message on the printer.

Traverser-E2 is available in 3 different stroke lengths as standard, 80,150mm or 300mm stroke.

The Traverser-E2 is available with a choice of mountings to mount onto either 25x25mm rail or 32mm diameter rail.

Traverser-E2 is particularly suited to applications where only 1 product has to be printed at 90 degrees to line travel or where an operator manually loads items into a jig.



## SPECIFICATION

Type: Traverser-E2 - Part No T10349/T10398

Maximum Stroke: 80mm(55mm printing+25mm accel/decel)

Minimum Stroke: 30mm (5mm printing + 25mm accel/decel)

Construction: Anodised Aluminium/Stainless Steel

Type: Traverser-E2 - Part No T10234/T10399

Maximum Stroke: 150mm(125mm printing+25mm accel/decel)

Minimum Stroke: 30mm (5mm printing + 25mm accel/decel)

Construction: Anodised Aluminium/Stainless Steel

Type: Traverser-E – Part No T10235/T10383

Maximum Stroke: 300mm(275mm printing+25mm accel/decel)

Minimum Stroke: 30mm (5mm printing + 25mm accel/decel)

Construction: Anodised Aluminium/Stainless Steel

## PERFORMANCE

Speed (print stroke): 200mm/sec

Acceleration (print stroke): 1600mm/sec<sup>2</sup>

Cycle Time @ max stroke (T10349/T10398): 1.2 sec (Move out and return)

Cycle Time @ max stroke (T10234/T10399): 2.1sec (Move out and return)

Cycle Time @ max stroke (T10235/T10383): 4.2 sec (Move out and return)

Cycle Time @ min stroke: 0.7sec (Move out and return)

Duty Cycle: 100%

## ENVIRONMENT

Temperature range: 5 - 45°C

Humidity: 10 - 90% RH (non condensing)

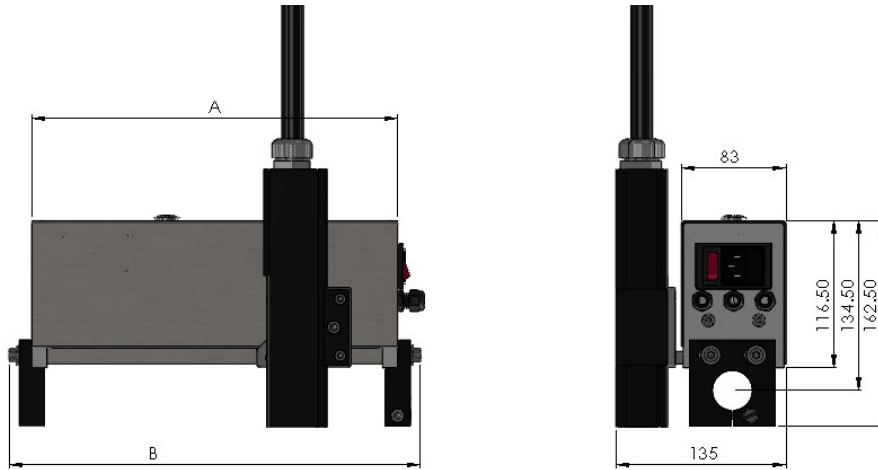
Electrical Supply: 120–230Vac, 50/60Hz, <0.2A

Protection: IP40

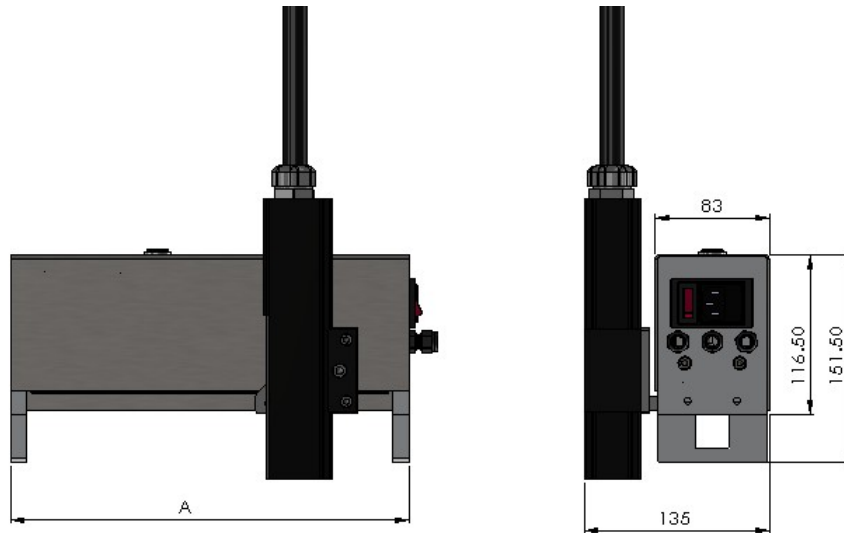
Operating Noise: <70 dB(A)

## DIMENSIONS (SQUARE PRINTHEAD)

Traverser fitted with 32mm diameter clamps:



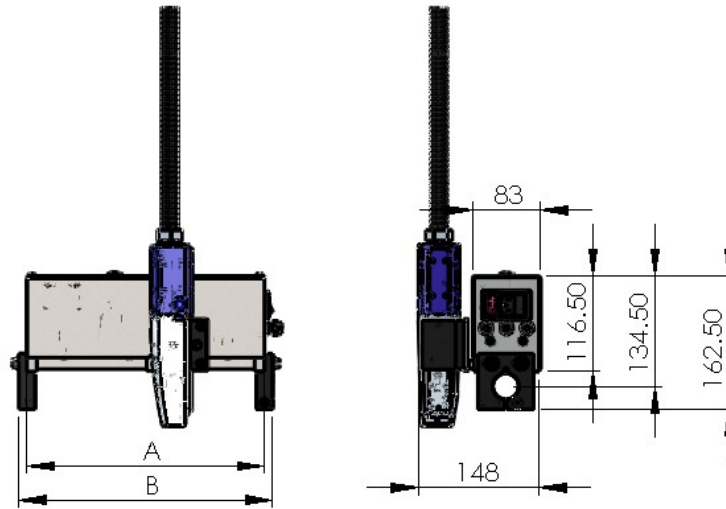
Traverser fitted with 25mm square clamps:



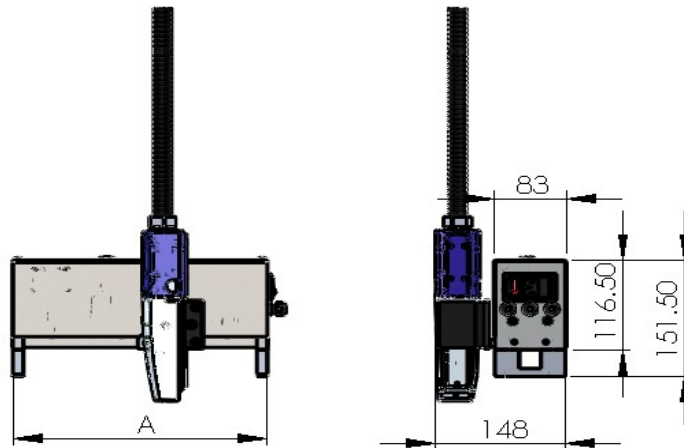
Part Number	Stroke (mm)	A (mm)	B (mm)
T10349	80	215	251
T10234	150	290	326
T10235	300	440	476

## DIMENSIONS (SURESTART PRINTHEAD)

Traverser fitted with 32mm diameter clamps



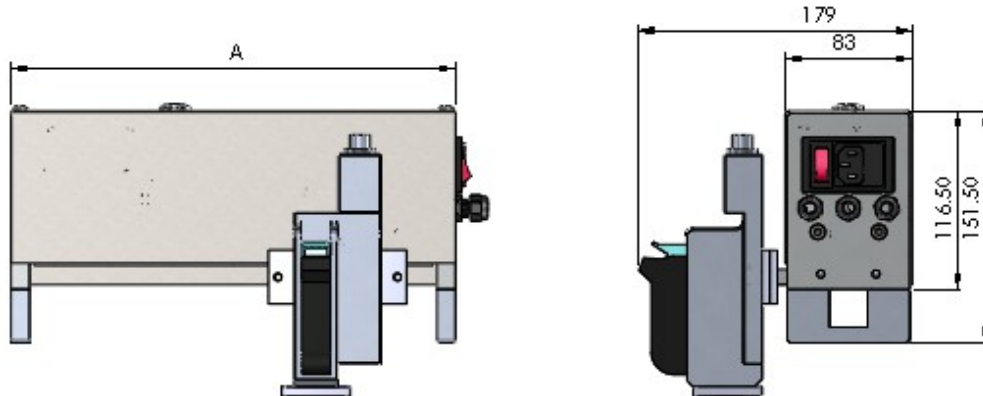
Traverser fitted with 25mm square clamps



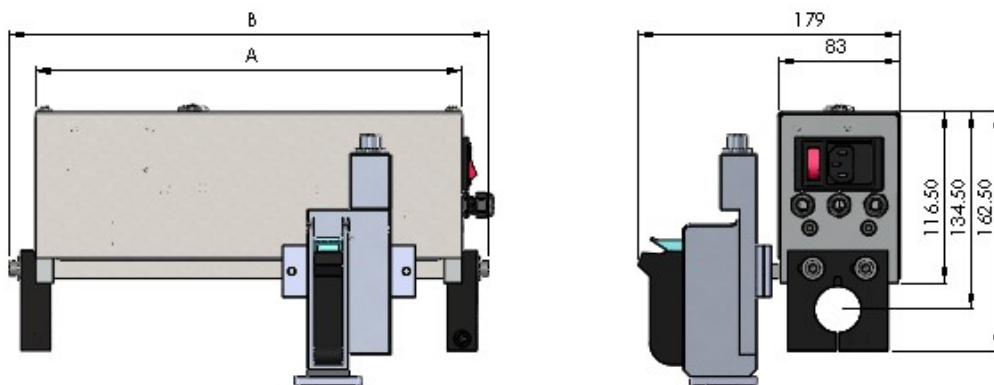
Part Number	Stroke (mm)	A (mm)	B (mm)
T10349	80	215	251
T10234	150	290	326
T10235	300	440	476

## DIMENSIONS (G-SERIES PRINHEAD)

Traverser fitted with 25mm square clamps



Traverser fitted with 32mm diameter clamps

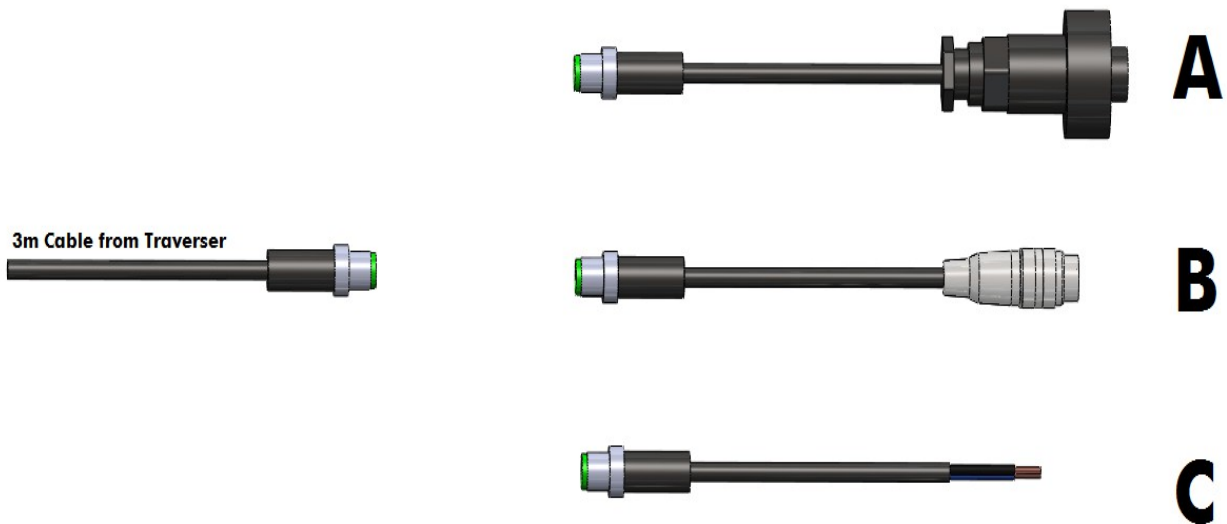


Part Number	Stroke (mm)	A (mm)	B (mm)
T10398	80	215	251
T10399	150	290	326
T10383	300	440	476

## ACCESSORIES

### PRINTER CONNECTORS

A suitable printer connector will be required depending which type of Domino printer is used to connect the 'Print Go' signal. Required connector must be specified with order. The cost of a single connector is included in the price of the Traverser, requirement should be specified with order.



Printer	Cable	Part No.
A100/200/300/400 classic/plus A120/A220	A	T10199
A-Series i-tech/Ax	B	T10352
G100/200/300	C	T10380

### PRINTER CABLE EXTENSION

The cable which takes Print Go signal from the Traverser to the Domino A-series is supplied 3m long. Extension cables are available, with a length of 2m. If necessary, more than one of these cables can be joined end to end.

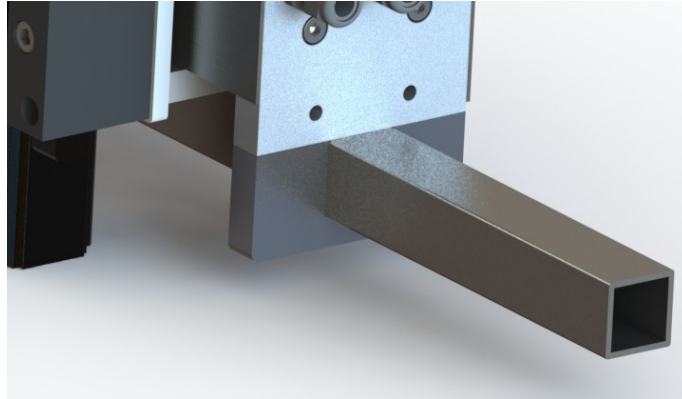


Part No	Description
T10204	Extension Cable (2m)

## MOUNTING BRACKET OPTIONS

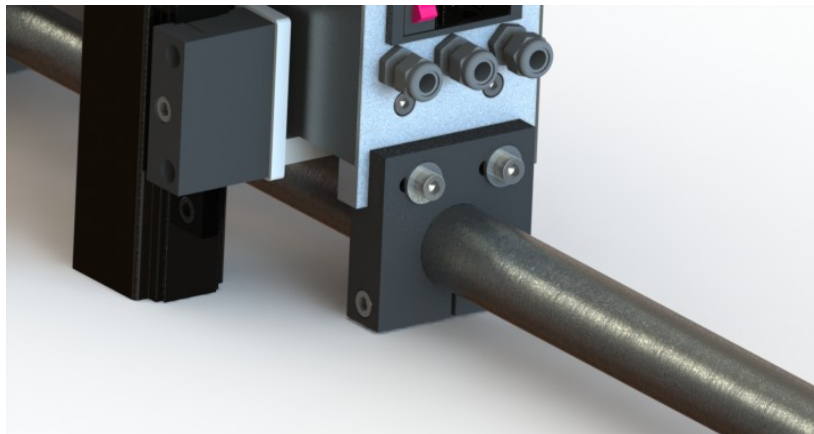
Mounting brackets are available to mount the Traverser-E2 on either 32mm diameter round tubing or 25mm square tubing.

- 32mm diameter brackets mount directly to standard Domino mounting system.
- 25mm square brackets mount onto mounting system available separately.



Brackets for 25mm square Part No T10131

The 32mm diameter brackets allow 10mm of perpendicular movement which is useful for fine adjustment of Traverser position. Slots are provided in the brackets to accept locking rings (Domino Part No 5-0161129) these give additional anti-rotation support.



Brackets for 32mm diameter Part No T10185

Part No.	Description
T10131	Brackets for 25mm square (pair)
T10185	Brackets for 32mm diameter (pair)

## MOUNTING SYSTEM

A 25mm rail mounting system is available as a goalpost kit in 2 different widths to suit all stroke lengths. Individual mounting system components and lengths of rail available on request.

Goalpost system 1 m wide.

Contents:                3x 1 metre long 25x25mm stainless steel tubes.  
                               2x 90deg clamp blocks.  
                               2x pedestal clamps.  
                               4x end caps.

Goalpost system 1.5m wide.

Contents:                2x 1 metre long 25x25mm stainless steel tubes.  
                               1x 1.5 metre long 25x25mm stainless steel tubes.  
                               2x 90deg clamp blocks.  
                               2x pedestal clamps.  
                               4x end caps.



25x25mm Stainless Steel Goalpost System

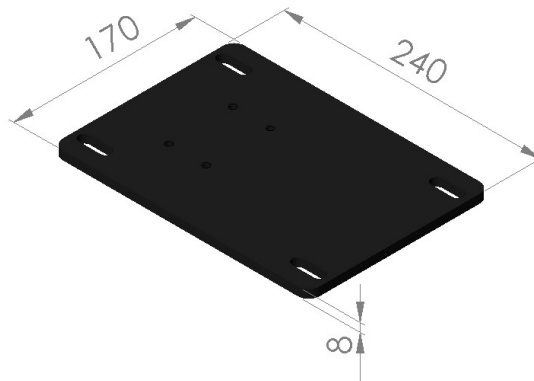
Part No	Description
T10161	Goalpost system 1 m wide
T10162	Goalpost system 1.5m wide



## Mounting System Base Plates

Base plates are also available that fit beneath the pedestal clamps to allow a rigid connection to the floor or other surface. These plates are designed to be bolted to the floor or any other surface and have tapped holes to accept tube clamp connectors.

The plates incorporate slots that allow the position of the mounting system to be varied by  $\pm 10$ mm. These plates are suitable for use with Domino 32mm diameter floor/wall mount clamps (5-0161126) and 25mm pedestal clamps detailed previously.



The Plates are manufactured from 8mm thick steel plate and treated with a durable powder coat finish. Also available manufactured from Stainless Steel

Part No.	Description
T10206	Mounting System Base Plates (Pair)
T10250	Mounting System Base Plates Stainless Steel (Pair)

## Foot-switch

If the Traverser is to be operator triggered, a simple foot-switch is available. This switch can also be hand operated if necessary.

Part No	Description
T10205	Foot-switch



## CONDUIT SUPPORT

The conduit support allows the print-head conduit to be supported and be free to move with the Traverser at the same time.

The Conduit Support kit consists of a polyurethane hanger, which can be adjusted to allow the conduit to be supported from different heights, a stainless steel adjustment collar, a stainless steel tensioning collar, a stainless steel snap ring to release the mounting and a stainless steel loop bracket. The loop bracket can be fitted to, for example the roof of the host machine.

There are additional components available to clamp the conduit support top mounting hook to 25mm x 25mm rail and 32mm diameter rail.

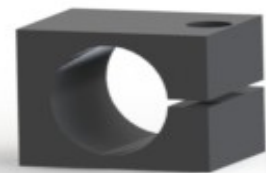
The polyurethane hanger is looped around itself and tensioned against the print-head conduit with the stainless steel tensioning collar.



Conduit Support Kit Part No T10208



25mm by 25mm Square Bar Conduit  
Kit Clamp Part No T10209



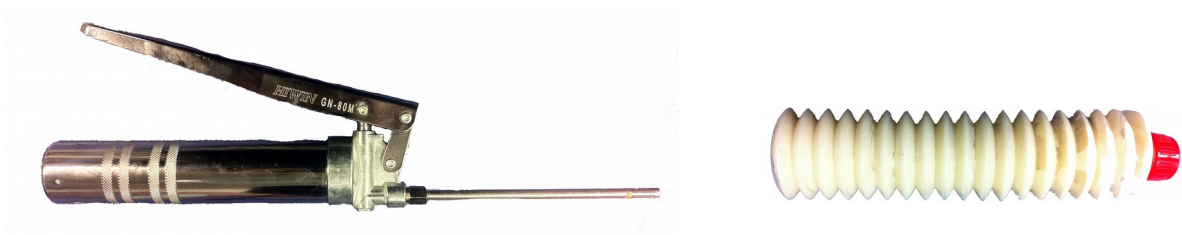
Diameter 32 Round Bar  
Conduit Kit Clamp Part No T10210

## LUBRICATION

To ensure that the Traverser maintains its high level of performance and low level of maintenance, the linear slide should be lubricated at regular intervals.

The recommended interval for lubrication is every 100km, however this figure is dependent on environment and conditions of use and may vary. The amount of travel the Traverser has done can be monitored using the software that is supplied with the Traverser.

The following parts can be used to lubricate the traverser:



Traverser Grease Gun uses 70g refill tubes of grease and is supplied with a variety of applicator nozzles which help accurately pipe the lubricant onto the greasing nipples of the Traverser 2 and also other Traverser models

Part No.	Description
T10221	Grease Gun Kit (supplied without grease cartridge)
T10222	Grease cartridge 70g