

# GUN TRAVERSER

The Gun Traverser was developed for printing data matrix codes onto large components in the Aerospace industry, but has applications in other industries where a portable print-head is required. The Gun Traverser is both lightweight and ergonomic, the electric axis has a fixed stroke and maximum print length of 70mm, cycle time is 4 seconds. The Traverser is operated by pressing the trigger button on the handle. The Traverser consists of three parts, the handheld axis, a control box which mounts on the side of a Domino A100/200/300 cabinet (can be mounted to wall/bench when using other printers) and a stand for supporting the gun when not in use.



The current model is the second generation design, following success of the first generation the unit was redesigned to offer greater durability and a higher standard of finish. The main body and handle are now made of a single piece aluminium casting, the motor cover is also cast aluminium and both parts are treated with a durable powder coat finish.

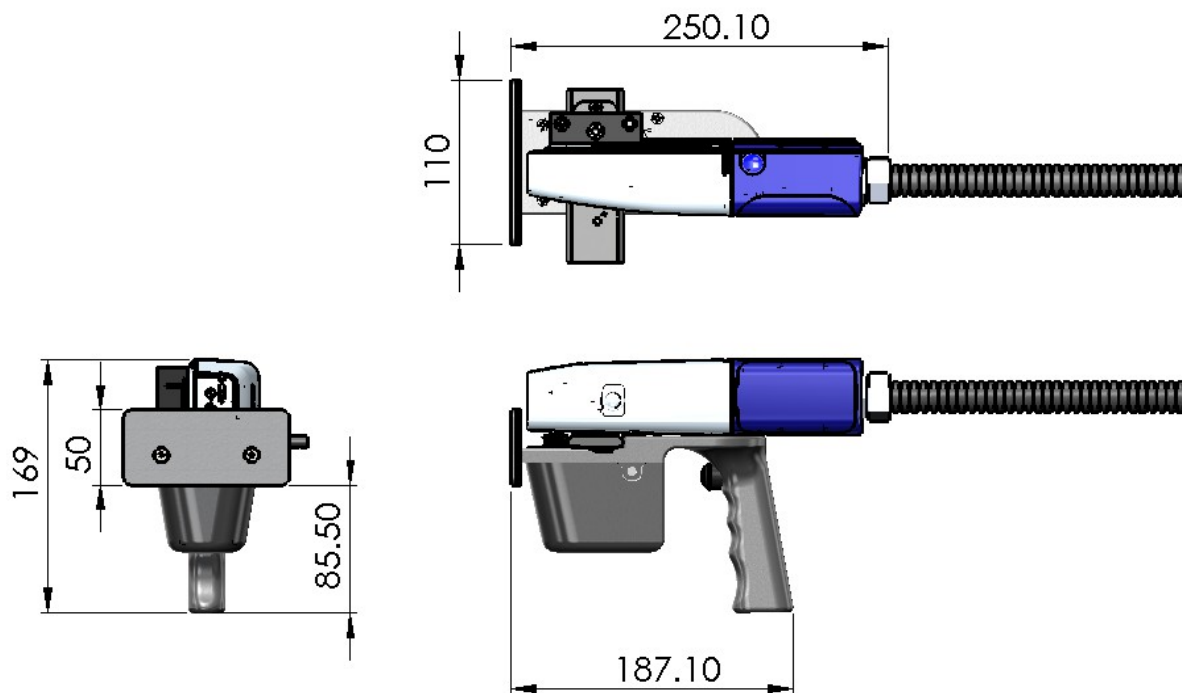


Control Box Attached to Domino A-Series Plus/classic Printer



Gun Traverser on its stand

## DIMENSIONS



## SPECIFICATION

Gun Traverser: Part No T10033

Construction: Black Powder coated cast aluminium Traverser, 304DP Stainless steel control box

Weight: 800g (Traverser), 2kg (Control Box)

Maximum Stroke: 70mm (60mm printing + 10mm acceleration/deceleration)

## PERFORMANCE

Speed (print stroke) 50mm/sec

Acceleration (print stroke) 250mm/sec<sup>2</sup>

Speed (other moves) 122mm/sec

Acceleration (other moves) 184mm/sec<sup>2</sup>

Time for complete cycle 4 sec

Duty Cycle: 100%

## ENVIRONMENT

Temperature range 5 - 45°C

Humidity 10 - 90% RH (non condensing)

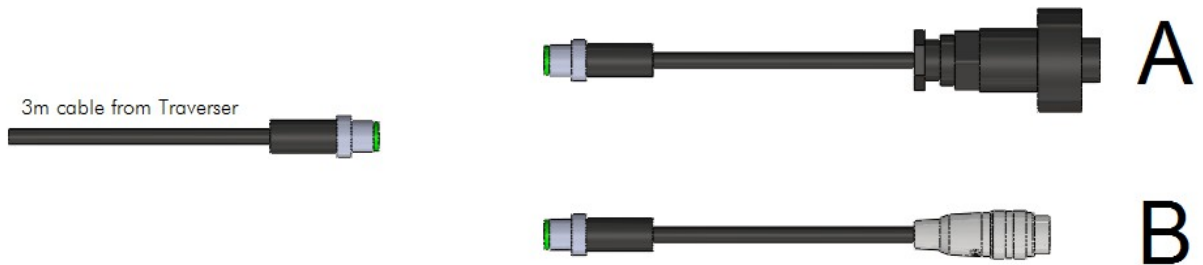
Electrical requirements Single phase, 120 – 230 vac, 50/60Hz, <0.2amp

Protection IP40

Operating Noise <70 dB(A)

## PRINTER CONNECTORS

A suitable printer connector will be required depending which type of Domino printer is used to connect the 'Print Go' signal. Required connector must be specified with order. The cost of a single connector is included in the price.



Printer	Cable	Part No.
A100/200/300/400 classic/plus & A120/220	A	T10199
A-Series i-tech & Ax	B	T10352